



new 'E' range

Loop powered

4/20mA indicators

for use in **hazardous**

and **safe areas**



visit our website www.beka.co.uk

- > Larger displays
- > Improved specification
- > Economical

BEKA
associates



New 'E' range

Loop powered 4/20mA indicators

Since the installation of the first BEKA intrinsically safe indicator in 1984, we have been at the forefront of loop powered indicator development. These new UK designed and manufactured fourth generation instruments are based on the accumulated experience gained from thousands of installations coupled with the latest electronic, production and certification technology, resulting in larger digits, improved visibility, more standard features and even higher reliability.

The new models are mechanically, electrically and safety compatible with the preceding indicators so existing systems do not have to be re-engineered to benefit from the improved performance of these new instruments.



Standard features on all models

- > Large, non multiplexed, high contrast display with a wide viewing angle showing 4/20mA loop current in engineering units.
- > Less than 1.2V drop in 4/20mA loop
- > Square root extractor & 16 segment adjustable lineariser
- > Tare function
- > -40°C to +70°C operations
- > Free calibration, scale & tagging to customer's requirements
- > Accurate calibration without external current source
- > ATEX & IECEx certification of hazardous area models
- > Non-certified models for safe area applications
- > Coated printed circuit boards for maximum reliability
- > Three year guarantee

FIELD MOUNTING MODELS

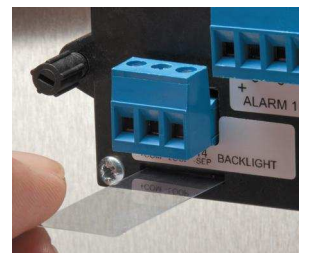
- > **Models in GRP enclosure**
 - 4 digit 34mm high display
 - 5 digit 29mm high display plus bargraph
- > Intrinsically safe Ex i gas & dust models
- > Dual certified Ex nA & Ex tc models for Zone 2 & 22
- > Robust IP66 GRP enclosure with separate terminal compartment.

Optional

External keypad
Backlight - may be loop or separately powered
Dual alarms with isolated solid state outputs
Custom etched stainless steel legend plate
Stainless steel pipe mounting kits

PANEL MOUNTING MODELS

- > **Models in 96 x 48mm DIN enclosure**
 - 4 digit 15mm high display
 - 5 digit 11mm high display plus bargraph
- > **Models in 144 x 72mm DIN enclosure**
 - 4 digit 34mm high display
 - 5 digit 29mm high display plus bargraph
- > Intrinsically safe Ex i models for gas & dust
- > Easy scale card installation without need to remove indicator from panel.
- > Low behind panel profile - only 65mm

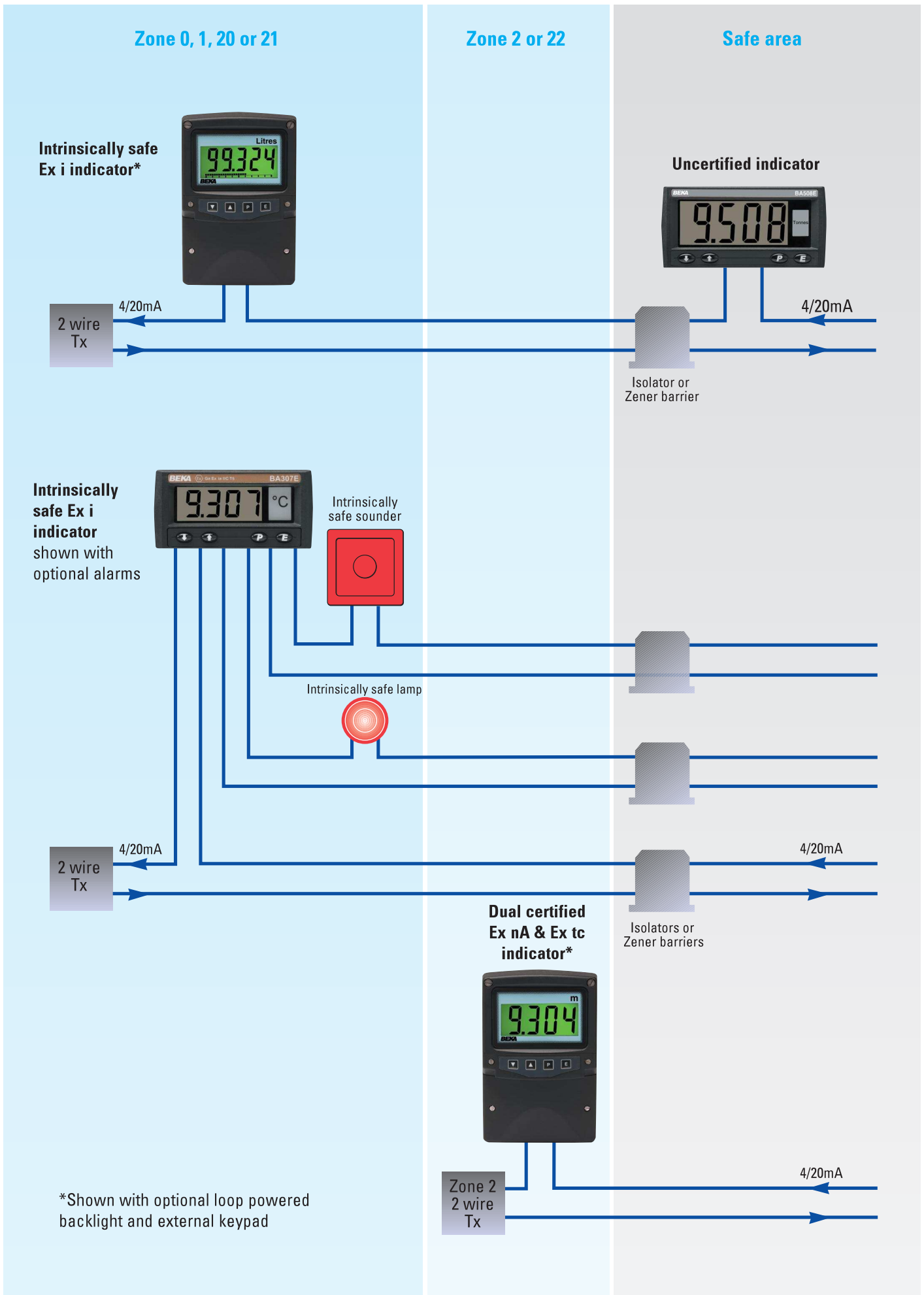


Easy scale card installation from rear of instrument

Optional

Backlight - may be loop or separately powered
Dual alarms with isolated solid state outputs

Typical application



Models available



	Mounting	Number of digits	Display Digits height	Bargraph	Europe ATEX		International IECEx	
					Gas	Dust	Gas	Dust

Intrinsically safe - for use Zones 0, 1, 2, 20, 21 & 22

BA304E	Field	4	34mm	-	✓	✓*	✓	✓*
BA324E	Field	5	29mm	✓	✓	✓*	✓	✓*
BA307E	Panel 96 x 48	4	15mm	-	✓	✓	✓	✓
BA308E	Panel 144 x 72	4	34mm	-	✓	✓	✓	✓
BA327E	Panel 96 x 48	5	11mm	✓	✓	✓	✓	✓
BA328E	Panel 144 x 72	5	29mm	✓	✓	✓	✓	✓

Type n - for use Zones 2 & 22

BA304NE	Field	4	34mm	-	✓	✓	✓	✓
BA324NE	Field	5	29mm	✓	✓	✓	✓	✓

General Purpose - for use in safe areas

BA504E	Field	4	34mm	-				
BA524E	Field	5	29mm	✓				
BA507E	Panel 96 x 48	4	15mm	-				
BA508E	Panel 144 x 72	4	34mm	-				
BA527E	Panel 96 x 48	5	11mm	✓				
BA528E	Panel 144 x 72	5	29mm	✓				

*Option

NEW RATE TOTALISERS FOR FLOW APPLICATIONS

Complementary loop powered 4/20mA totalisers with separate rate and total displays include many indicator standard features.

Model	Mounting	Certification
BA354E	Field	Intrinsically safe
BA354NE	Field	Type n for use in Zones 2 & 22
BA358E	Panel 144 x 72	Intrinsically safe
BA554E	Field	General purpose for safe area
BA558E	Panel 144 x 72	General purpose for safe area



BEKA associates Ltd

Old Charlton Road, Hitchin, Hertfordshire SG5 2DA, England

www.beka.co.uk

Telephone +44 (0)1462 438301 Fax +44 (0) 1462 453971

e-mail sales@beka.co.uk