

The solenoid drivers of series IM72-11EX/L feature an intrinsically safe output with limited current and voltage. Thus making direct connection to loads in the Ex-area possible.

Within the area of applicability of the European directive 94/9/EG (ATEX) it is permitted to operate connected loads in potentially explosive atmospheres caused by dust or gas, provided they comply with the applicable regulations.

Typical applications are the control of EExi

pilot valves as well as the supply of displays and transmitters. The output values of the two connections U1 and U2 differ with respect to the no-load voltage indication (see output curve on next page). They are adapted to the valves of different manufacturers.

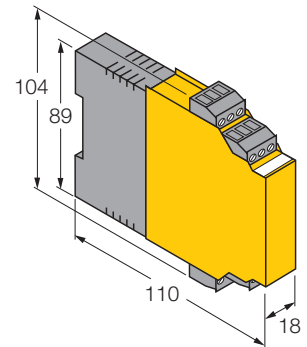
The loads can be controlled when power is applied.

The switching status of the output is indicated by a yellow LED.

- **Intrinsically safe input circuits EEx ia**
- **Application area according to ATEX : II (1) GD**
- **Output voltage 13 VDC/24 VDC**
- **Output current ≤40 mA**
- **Switching frequency ≤ 500Hz**
- **SIL3 according to IEC61508**
- **Removable terminal blocks**
- **Loop-powered**
- **Galvanic isolation between input circuits and output circuits**

valve control modules
1-channel
IM72-11Ex/L

Dimensions



Type	IM72-11Ex/L
Ident-No.	7520703
Nominal voltage	Loop-powered
Power consumption	≤ 1.5 W
0-signal	0...5 VDC
1-signal	19...30 VDC
Current input	45 mA
Input delay	≤ 2 ms
Output circuits	Eigensicher nach EN 50020
Output current	40 mA
Output voltage	U1=24 VDC
Output voltage	U2=13 V

Limit frequency	< 500 Hz	
Test voltage	2.5 kV	
Constant voltage supply	250 V	
Ex approval acc. to conformity certificate		
Ex approval acc. to conformity certificate	TÜV 05 ATEX 2846	
Application area	II (1) GD	
Protection type	[EEx ia] IIC	
Max.output voltage U_o	≤ 27 V	
Max. output current I_o	≤ 96 mA	
Max. output power P_o	≤ 678 mW	
Characteristic	trapezoidal	
External inductance/capacitance L_o/C_o		
	EEx ia IIC	EEx ia IIB
L_o [mH]	0.68, 0.5	13, 2
C_o [nF]	62, 70	260, 300
Ex approval acc. to conformity certificate	TÜV 06 ATEX 553388 X	
Application area	II 3 G	
Protection type	II 3 G Ex nA [nL] IIC/IIB T4	
Max.output voltage U_o	≤ 27 V	
Max. output current I_o	≤ 96 mA	
Max. output power P_o	≤ 678	
External inductance/capacitance L_i/C_i		
	EEx ia IIC	EEx ia IIB
L_o [mH]	0.68, 0.5	13, 2
C_o [nF]	120, 130	570, 620
Ex approval acc. to conformity certificate	IS 1.108	
Approval	SIL 3	
Indication		
Switching status	yellow	

valve control modules
1-channel
IM72-11Ex/L

Degree of protection	IP20
Ambient temperature	-25 ...+ 60 °C
Housing length	104 mm
Housing width	18 mm
Housing height	110 mm
Weight	114 g
Mounting instruction	Mounting on DIN rail or mounting panel
Housing material	polycarbonate/ABS
Electrical connection	4 x 3-pole removable terminal blocks, reverse polarity protected, screw connection
Terminal cross-section	1 x 2.5 mm ² / 2 x 1.5 mm ²